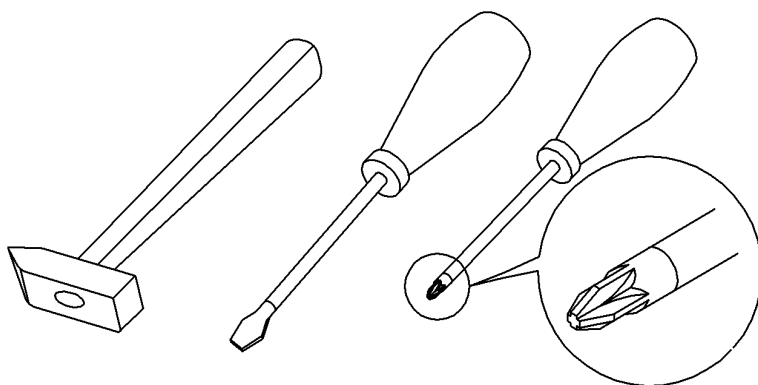
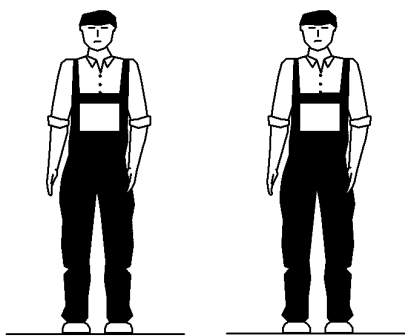
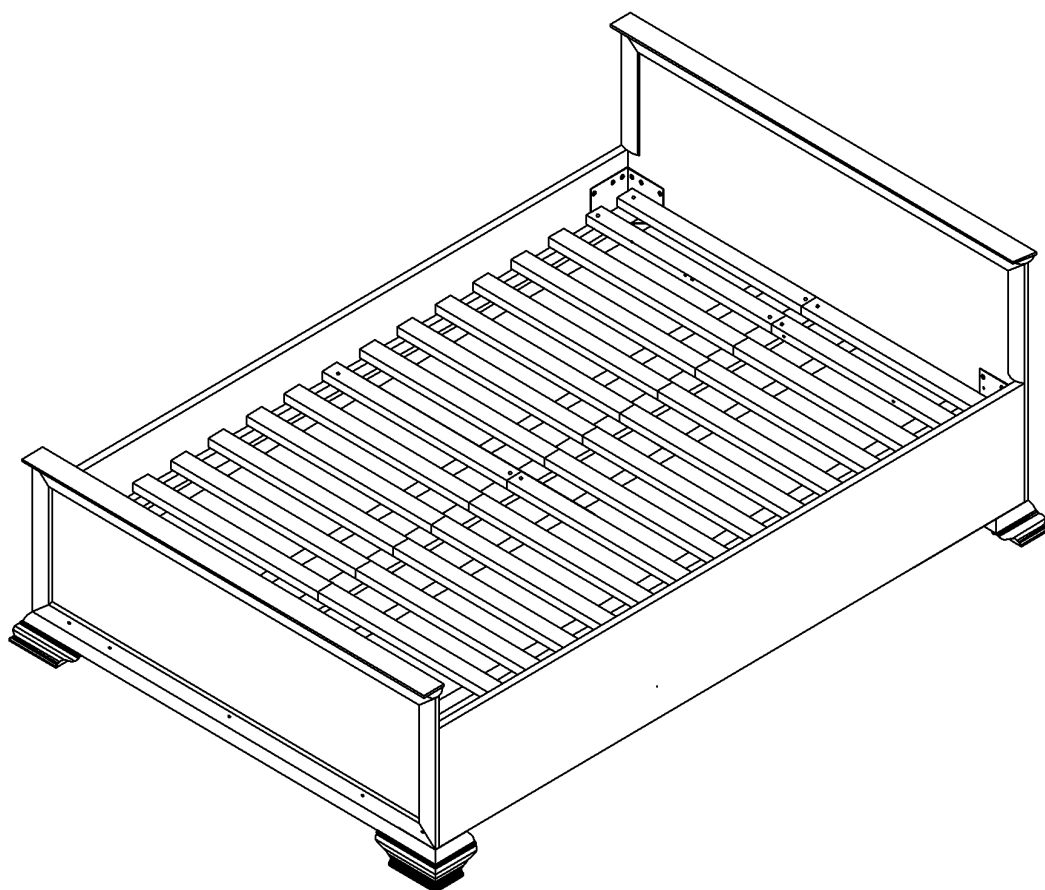
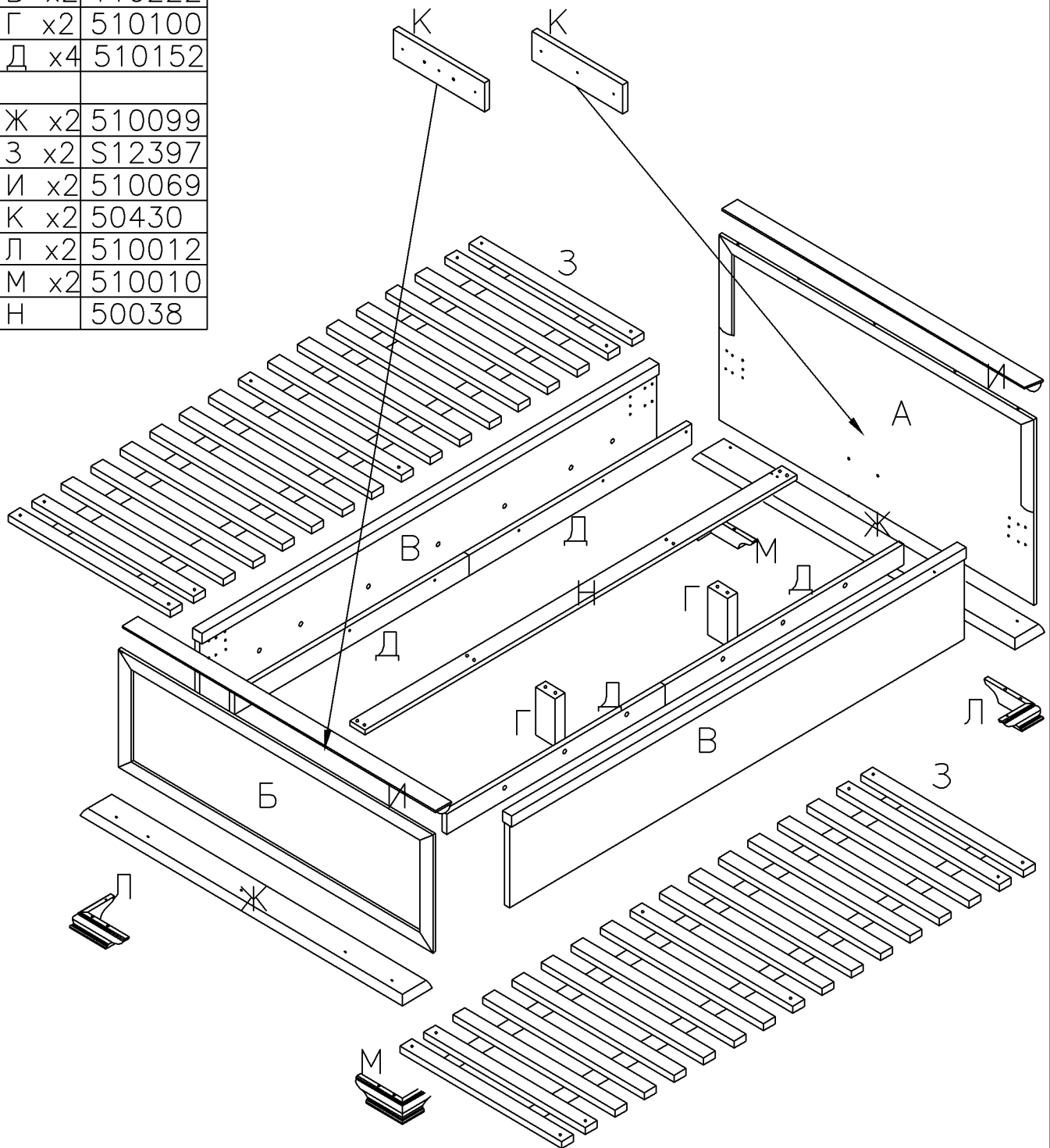


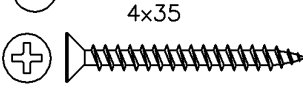
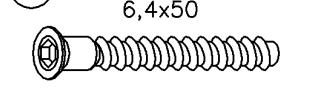
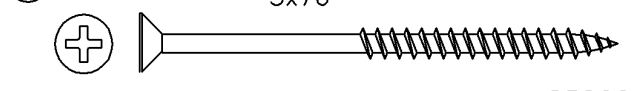
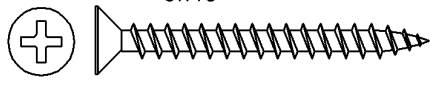
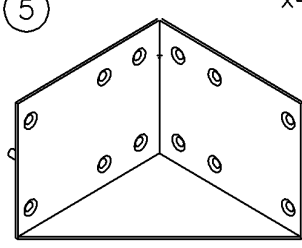
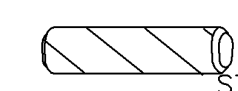
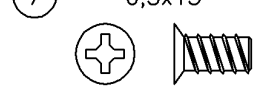

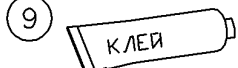
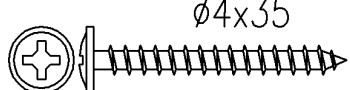
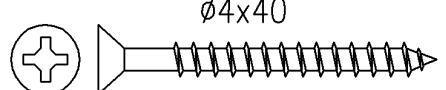
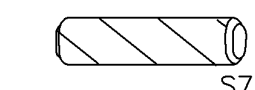
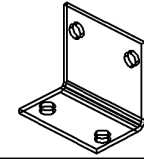

ARL 126

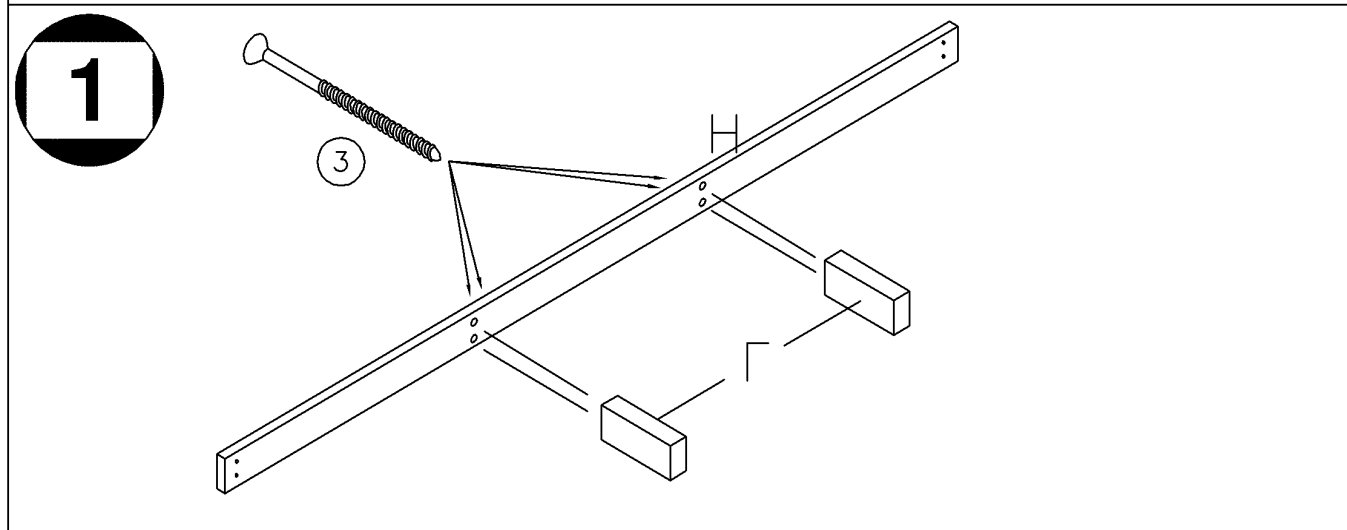


ARL126

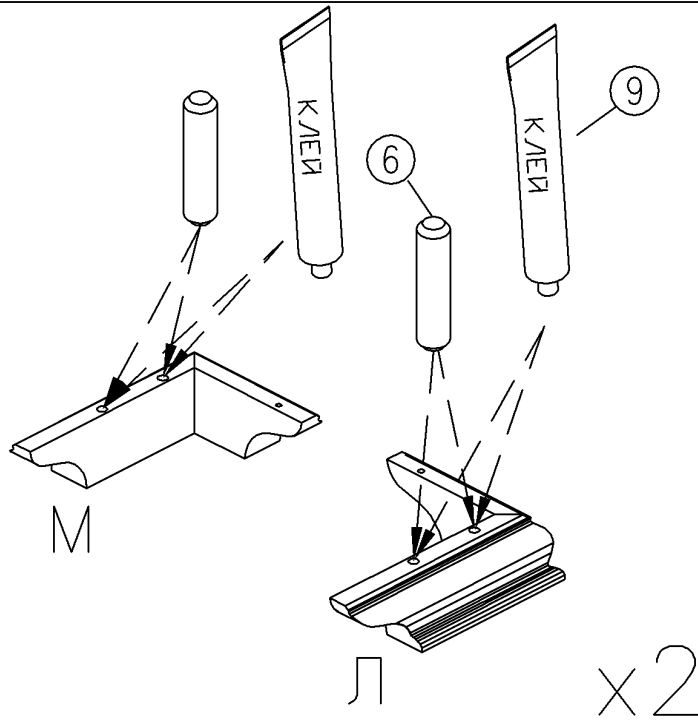
A	710016
Б	710017
В x2	110222
Г x2	510100
Д x4	510152
Ж x2	510099
З x2	S12397
И x2	510069
К x2	50430
Л x2	510012
М x2	510010
Н	50038



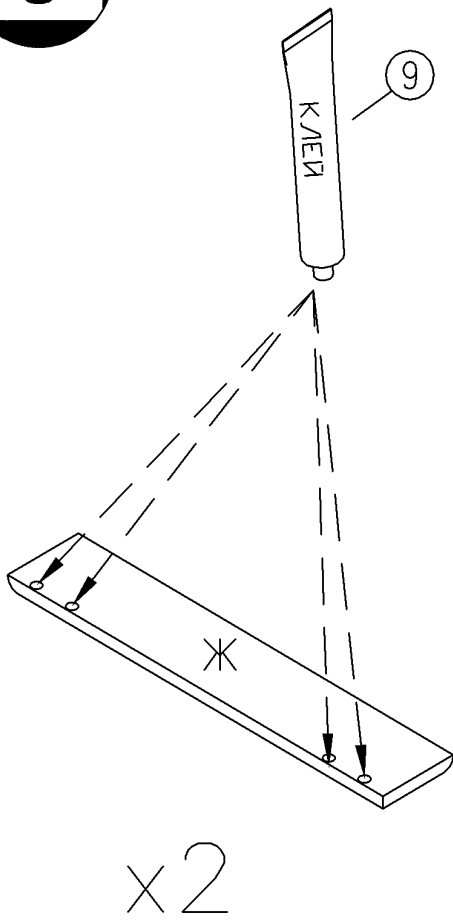
<p>① 4x35 x6 S30166</p> 	<p>② 6,4x50 x10 S32080</p> 	<p>③ 5x70 x4 S32008</p> 
<p>④ 5x45 x4 S30185</p> 	<p>⑤ x4 S30348</p> 	<p>⑥ 8x30 x24 S70969</p> 
<p>⑦ 6,3x13 x48 S30102</p> 	<p>⑧ x1 S30066</p> 	<p>⑨ x1 S20553</p> 
<p>⑩ $\varnothing 4 \times 35$ x4 S30135</p> 	<p>⑪ $\varnothing 4 \times 40$ x12 S30126</p> 	
<p>⑫ 8x36 x14 S70972</p> 	<p>⑬ x4 S33079</p> 	<p>⑭ x16 S32604</p> 



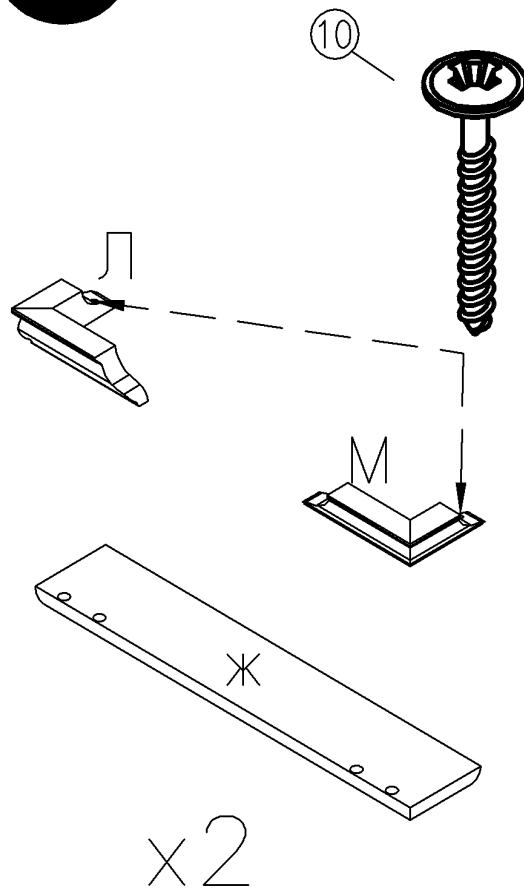
2



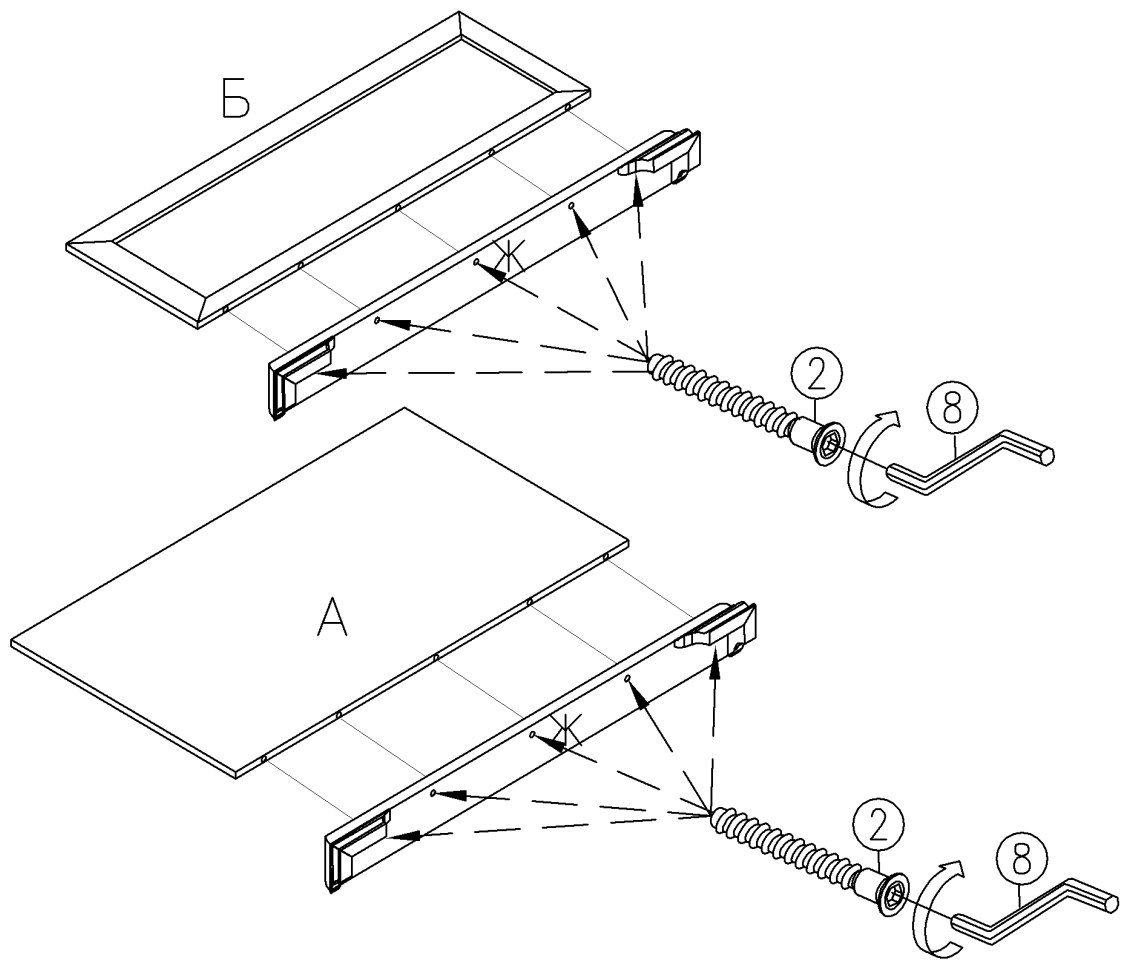
3



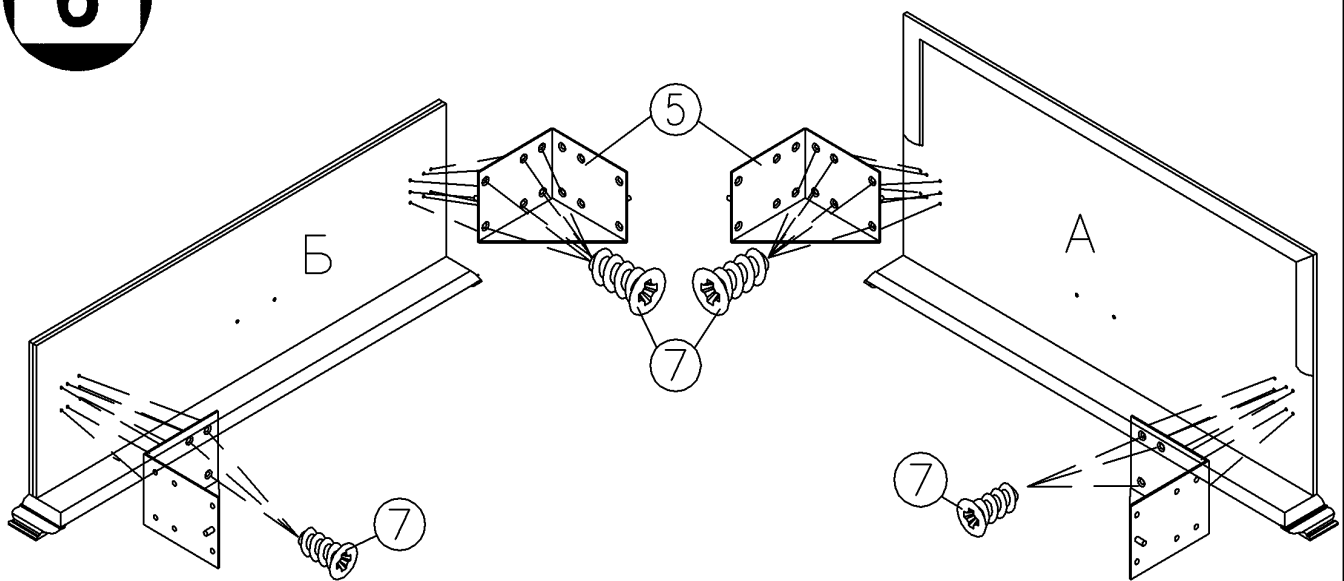
4



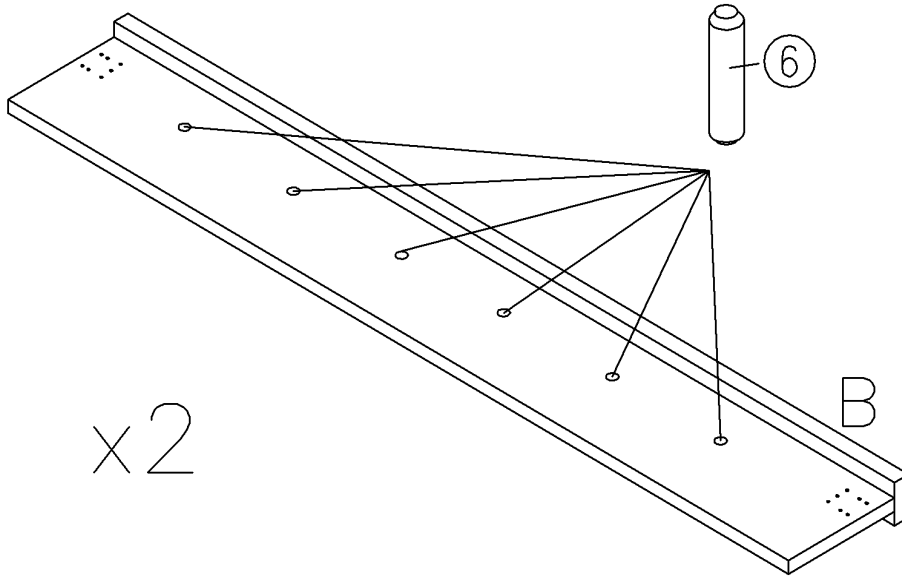
5



6

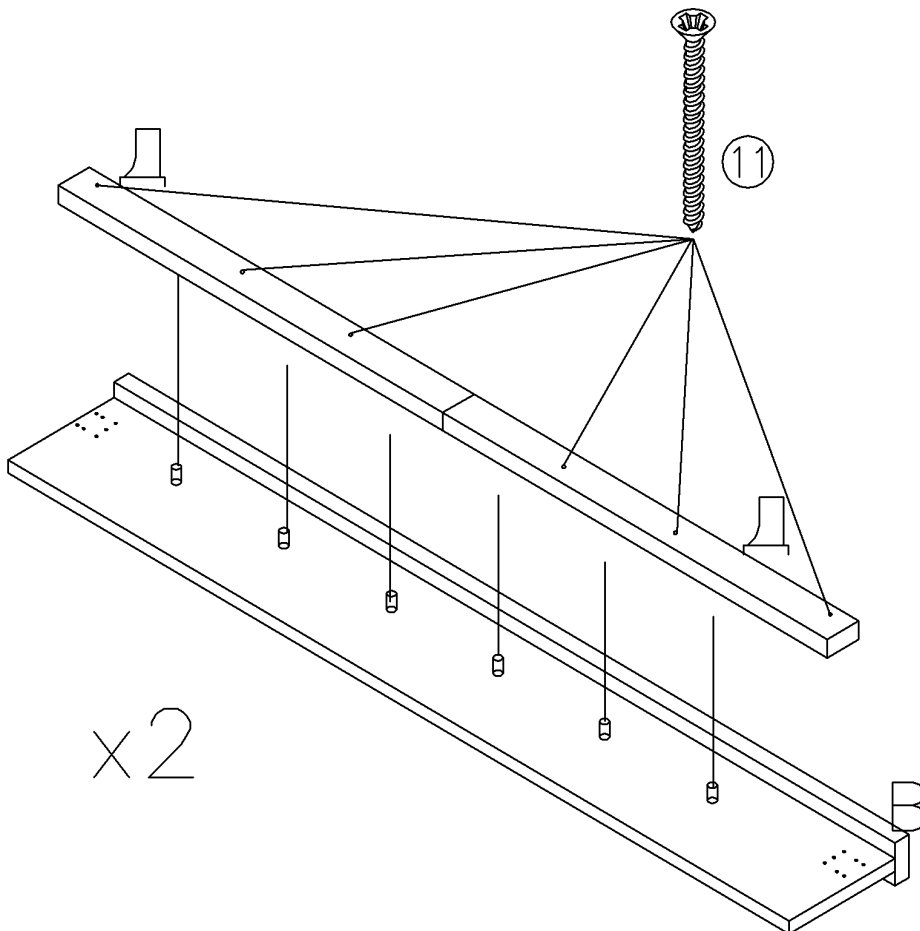


7

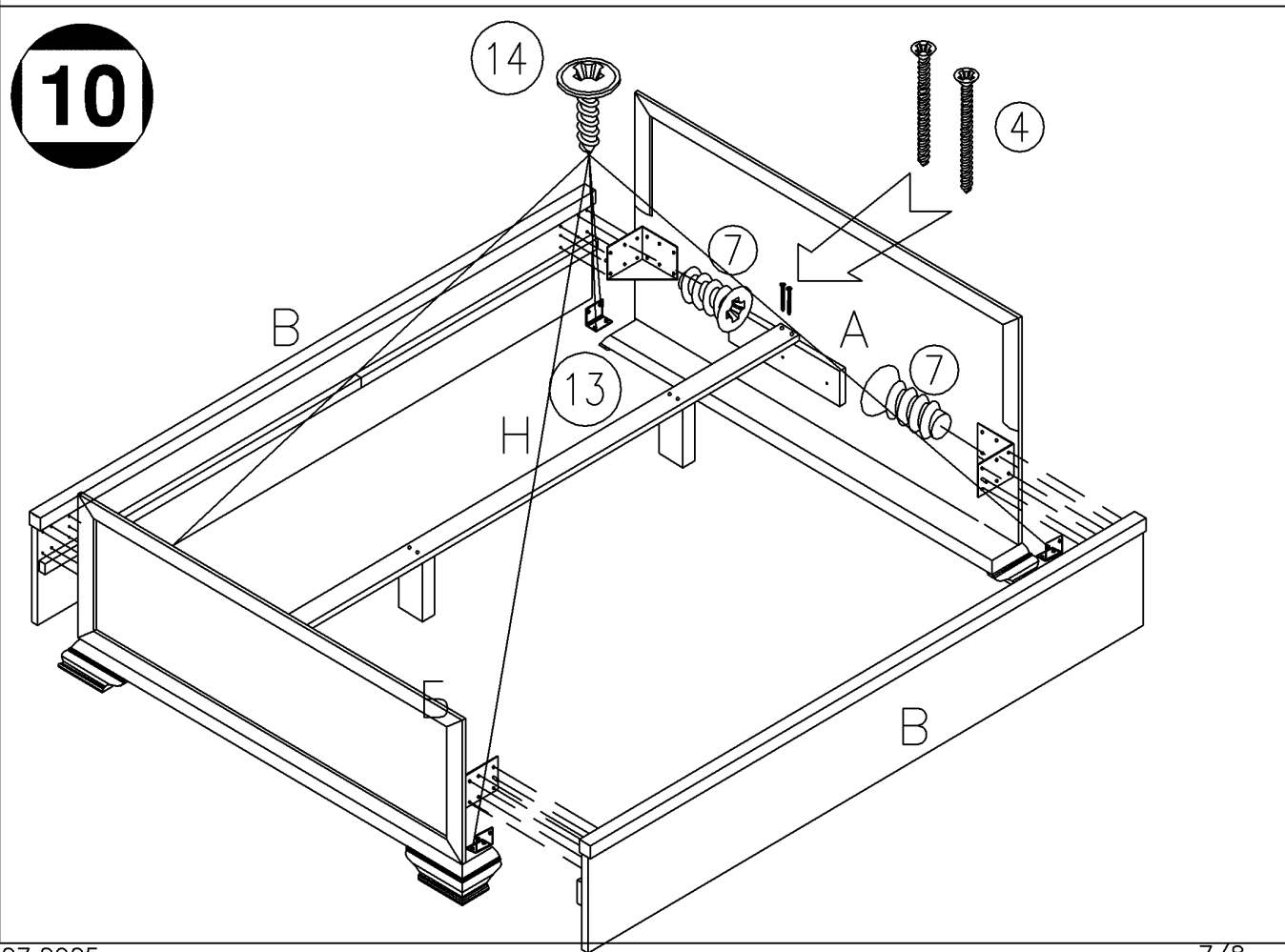
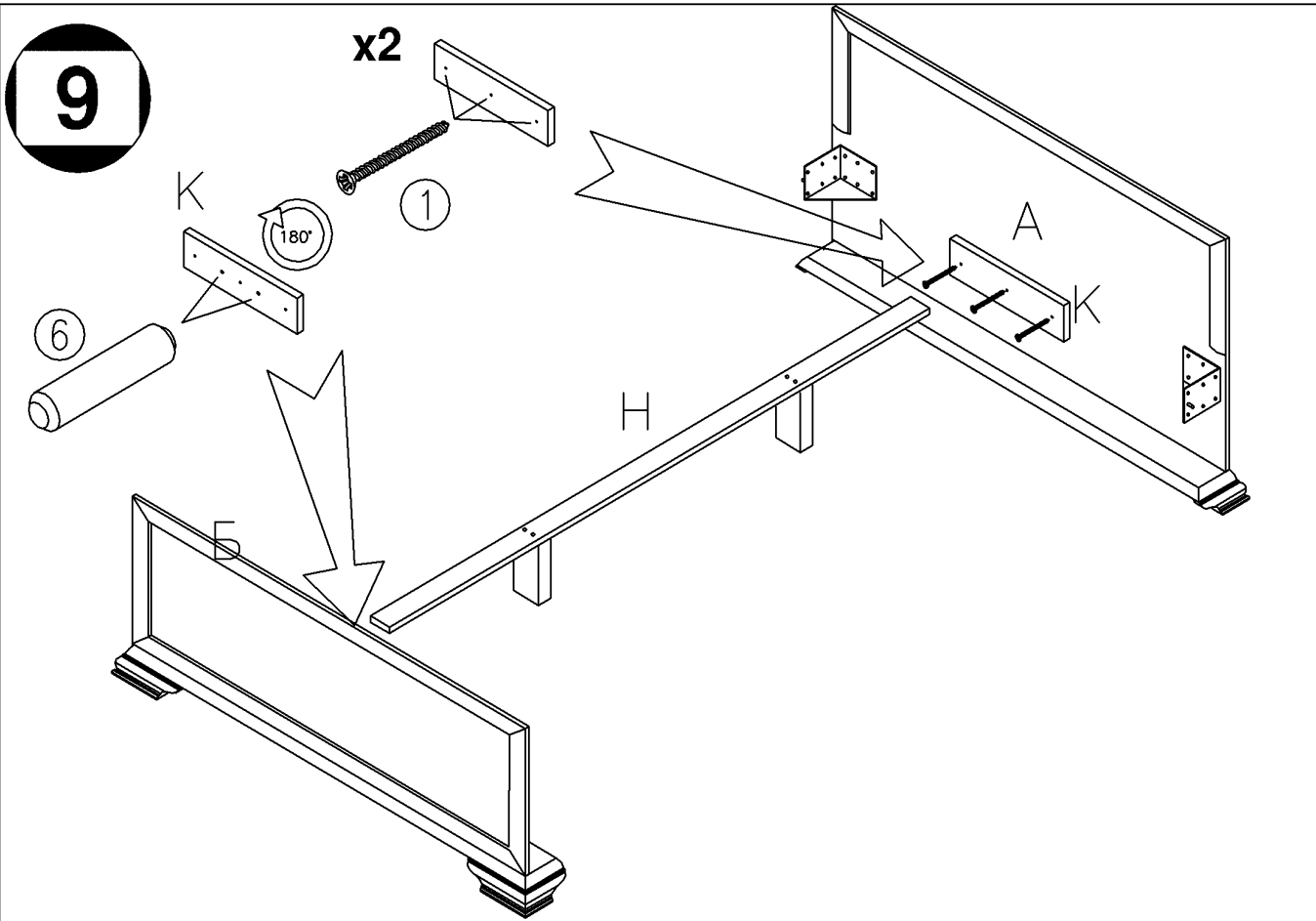


x2

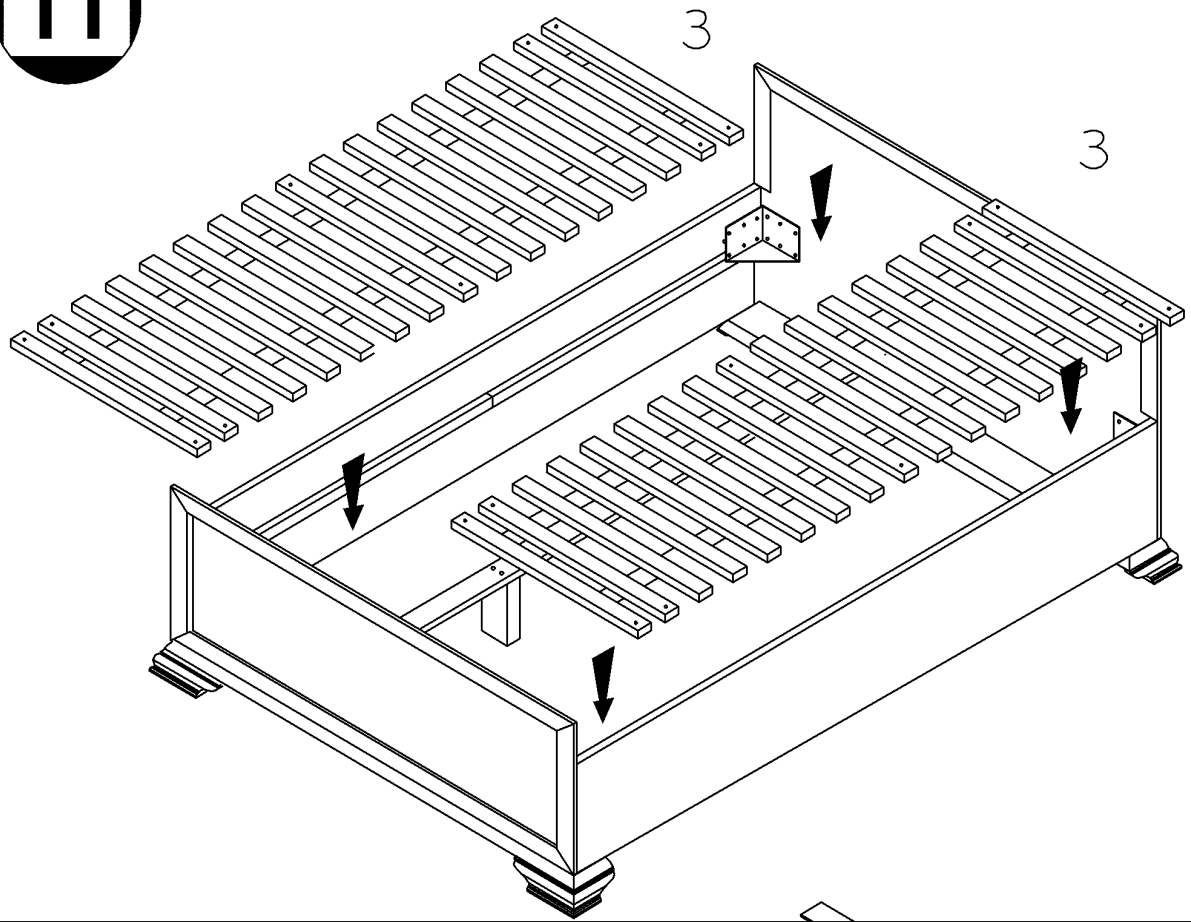
8



x2



11



12

